



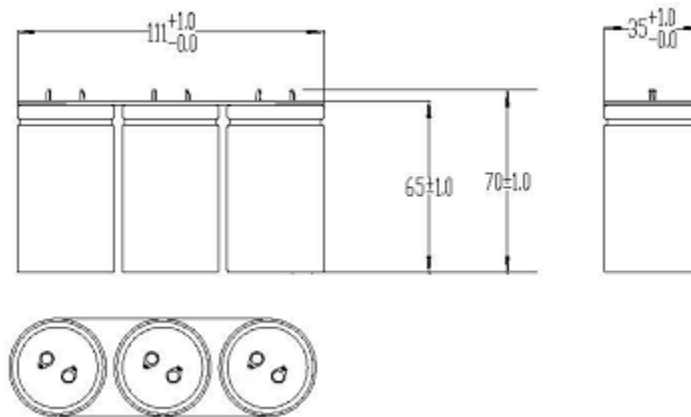
FEATURES

Over-balancing

Part number: SCM27

Electrical Specification		
Capacitance	116	Farads
Tolerance	+/-20	%
VDC	8.1	VDC
ESR _{ac}	15	mOhms MAX
Energy capacity	14.5	Wh
Leakage current	0.2	mA MAX
Temperature range	-40/+60	°C
Physical Specifications		
Dimensions	200x42x118	LxHxT (mm)
Terminations	#20 Wire	
Housing	PVC film	
Environmental protection	-	
Weight	250	grams

drawing



For a detailed specification contact Illinois Capacitor.