



### FEATURES

High AC Voltage - High Current

### APPLICATIONS

Induction Heating - Tank Circuits

<b>KVAR</b>	<b>300</b>
<b>CAPACITANCE TOLERANCE</b>	<b>+/-10%</b>
<b>MAXIMUM CORE TEMPERATURE</b>	<b>+85°C</b>
<b>SURFACE TEMPERATURE</b>	<b>+45°C</b> (Above 45°C the KVAR rating must be de-rated by 2.25%/°C)
<b>CONSTRUCTION</b>	<b>Self-healing</b>
<b>SELF INDUCTANCE</b>	<b>&lt; 5 nH</b>
<b>DIELECTRIC</b>	<b>Polypropylene</b>
<b>FLAME RETARDANT</b>	<b>UL94V0</b>

#### Standard Part Listing

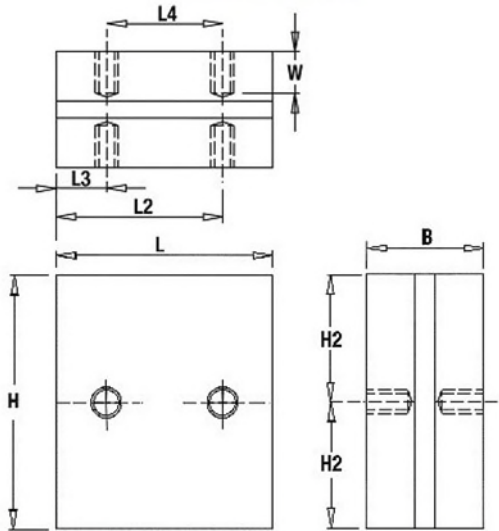
Capacitance (µF)	VAC	IC Part number	Maximum RMS current (A)	MAX power kvar	Frequency range (kHz)	ESR (mΩ) 100kHz, +25°C	Dimensions (mm)			Terminal Style
							B	H	L	
0.1	1000	<a href="#">104HC3102K2EM8</a>	350	300	476-649	1.2	30.2	66	56	2EM8
0.2	1000	<a href="#">204HC3102K2EM8</a>	500	300	238-423	1.2	30.2	66	56	2EM8
0.25	700	<a href="#">254HC3700K2EM8</a>	500	300	390-530	1.2	30.2	66	56	2EM8
0.33	700	<a href="#">334HC3700K2EM8</a>	500	300	295-401	1	30.2	66	56	2EM8
0.66	700	<a href="#">664HC3700K2EM8</a>	500	300	147-200	0.8	30.2	66	56	2EM8
1	600	<a href="#">105HC3600K2EM8</a>	650	300	132-223	0.5	30.2	66	56	2EM8
1.2	600	<a href="#">125HC3600K2EM8</a>	650	300	111-187	0.5	30.2	66	56	2EM8
1.32	600	<a href="#">135HC3600K2EM8</a>	650	300	100-170	0.3	30.2	66	56	2EM8
2.4	500	<a href="#">245HC3500K2EM8</a>	650	300	80-97	0.2	30.2	66	56	2EM8
2.6	500	<a href="#">265HC3500K2EM8</a>	650	300	72-85	0.2	30.2	66	56	2EM8
5	400	<a href="#">505HC3400K2EM8</a>	800	300	59-67	0.1	30.2	66	56	2EM8
0.1	1000	<a href="#">104HC3102K4TM6</a>	350	300	476-649	1.2	30.2	60	60	4TM6
0.2	1000	<a href="#">204HC3102K4TM6</a>	500	300	238-423	1.2	30.2	60	60	4TM6
0.25	700	<a href="#">254HC3700K4TM6</a>	500	300	390-530	1.2	30.2	60	60	4TM6
0.33	700	<a href="#">334HC3700K4TM6</a>	500	300	295-401	1	30.2	60	60	4TM6
0.66	700	<a href="#">664HC3700K4TM6</a>	500	300	147-200	0.8	30.2	60	60	4TM6
1	600	<a href="#">105HC3600K4TM6</a>	650	300	132-223	0.5	30.2	60	60	4TM6
1.2	600	<a href="#">125HC3600K4TM6</a>	650	300	111-187	0.5	30.2	60	60	4TM6
1.32	600	<a href="#">135HC3600K4TM6</a>	650	300	100-170	0.3	30.2	60	60	4TM6
2.4	500	<a href="#">245HC3500K4TM6</a>	650	300	80-97	0.2	30.2	60	60	4TM6
2.6	500	<a href="#">265HC3500K4TM6</a>	650	300	72-85	0.2	30.2	60	60	4TM6
5	400	<a href="#">505HC3400K4TM6</a>	800	300	59-67	0.1	30.2	60	60	4TM6
0.1	1000	<a href="#">104HC3102K4VM6</a>	350	300	476-649	1.2	30.2	50	75	4VM6
0.2	1000	<a href="#">204HC3102K4VM6</a>	500	300	238-423	1.2	30.2	50	75	4VM6
0.33	700	<a href="#">334HC3700K4VM6</a>	500	300	295-401	1	30.2	50	75	4VM6
0.66	700	<a href="#">664HC3700K4VM6</a>	500	300	147-200	0.8	30.2	50	75	4VM6
1	600	<a href="#">105HC3600K4VM6</a>	650	300	132-223	0.5	30.2	50	75	4VM6
1.32	600	<a href="#">135HC3600K4VM6</a>	650	300	100-170	0.3	30.2	50	75	4VM6
2.6	500	<a href="#">265HC3500K4VM6</a>	650	300	72-85	0.2	30.2	50	75	4VM6
5	400	<a href="#">505HC3400K4VM6</a>	800	300	59-67	0.1	30.2	50	75	4VM6

# HC3

## High Power Resonant Capacitors

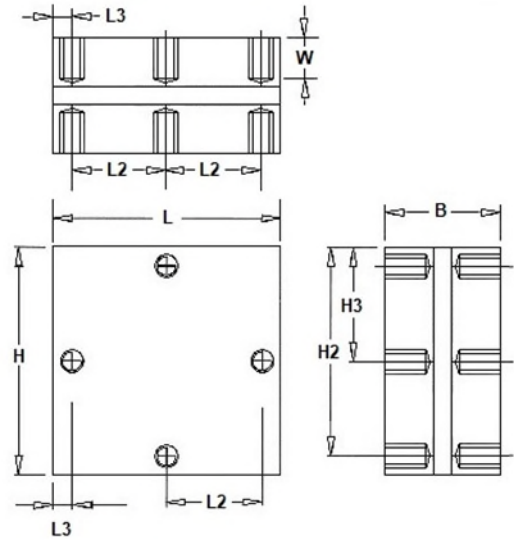


LEAD STYLE: 2EM8



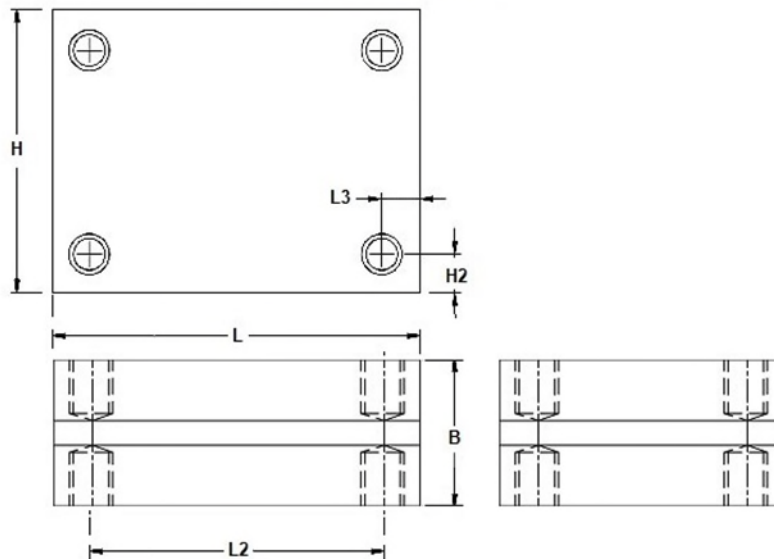
L	H	B	H2	L2	L3	L4	W
56±0.5	66±0.5	30.2±0.1	33	43	13	30	10±0.5
Mounting Holes: M8x1.25 tap fitted with SS helicoil							
Tightening torque: 15Nm MAX							

LEAD STYLE: 4TM6



L	H	B	H2	H3	L2	L3	W
60±0.5	60±0.5	30.2±0.1	55	30	25	5	10±0.5
Mounting Holes: M6x1 tap fitted with SS helicoil							
Tightening torque: 15Nm MAX							

LEAD STYLE: 4VM6



L	H	B	H2	L3	L2
75±0.5	50±0.5	30.2±0.1	65	5	5
M6x1 tapping without helicoil					
Tightening torque: 15Nm MAX					

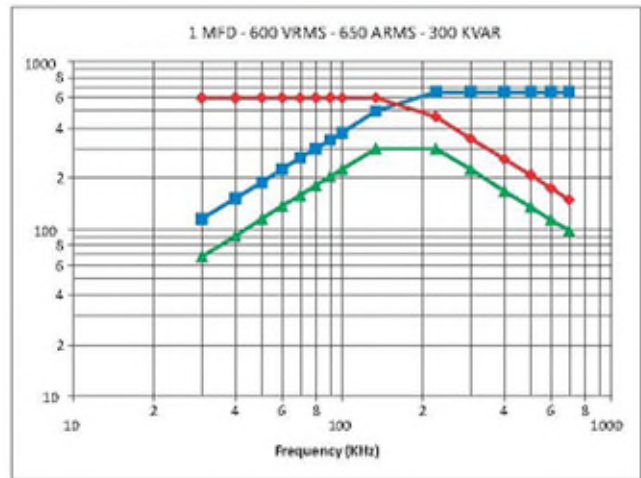
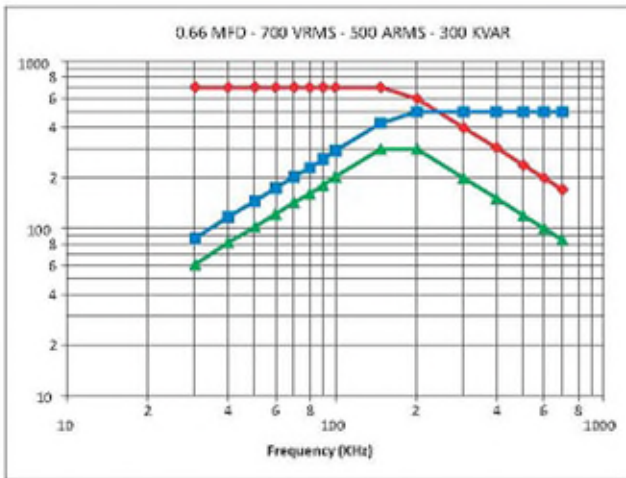
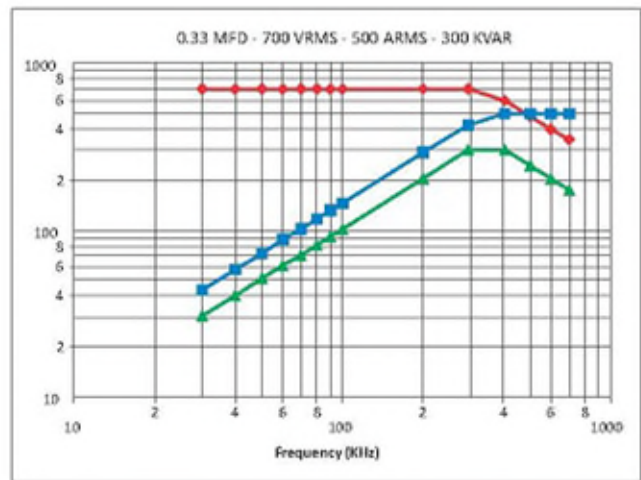
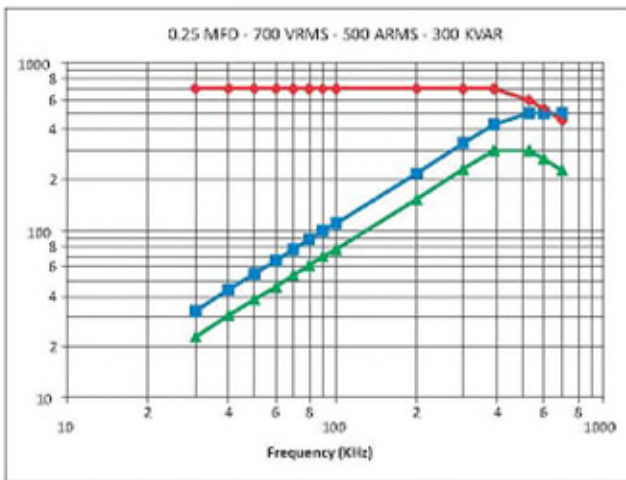
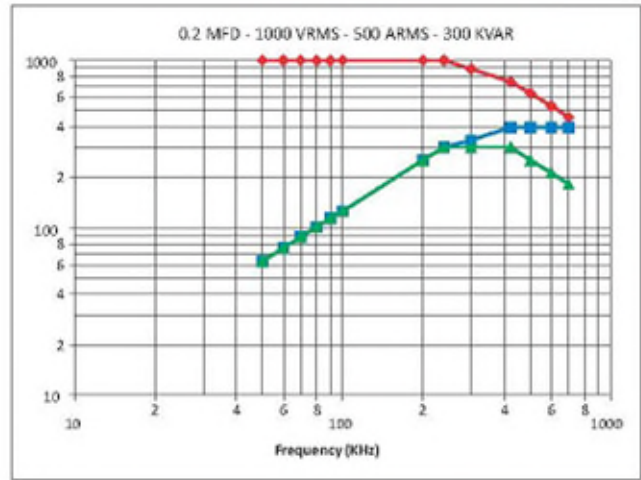
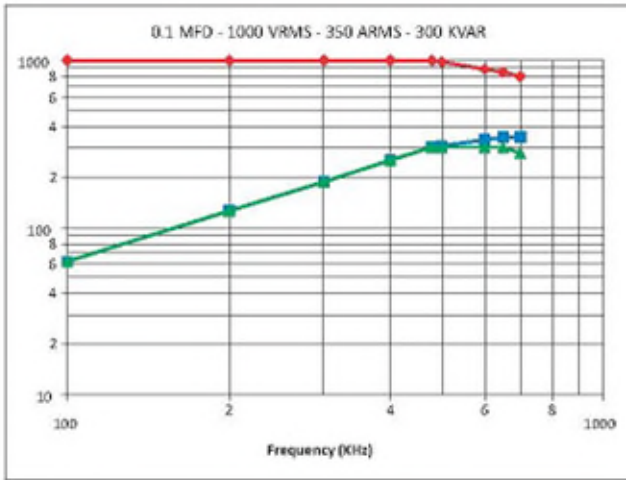
# HC3

## High Power Resonant Capacitors



### Frequency Derating

—●— Voltage —■— Current —▲— Power



# HC3

## High Power Resonant Capacitors



### Frequency Derating

—●— Voltage    —■— Current    —▲— Power

