



822MKP275KD
EMI/RFI SUPPRESSION
Parts are RoHS compliant

ELECTRICAL SPECIFICATIONS

Capacitance: 0.0082 μ F
Tolerance: -10 %, +10 %
DV/DT: 400 V/ μ S

Self inductance: 1nH/ mm pitch & lead length used

Terminal Temperature Range: -40°C to +110°C
Terminal to Terminal Dielectric strength: 3.226 V times the rated AC voltage when applied between the terminals for 60 seconds

VAC: 310 Volts AC, 50/60 Hz
Dissipation Factor: 0.001 Max at 1000 Hz and 20°C

Temperature Coefficient: -200 PPM/°C : -100 PPM/°C , 100 PPM/°C
Insulation Resistance (T-T): 15000 megohm \times microfarads MINIMUM after 100 Volts DC is applied for 60 seconds at 20°C
Insulation resistance (Terminal to Case): 30000 Megohms MINIMUM after 100 Volts DC is applied for 60 seconds at 20°C

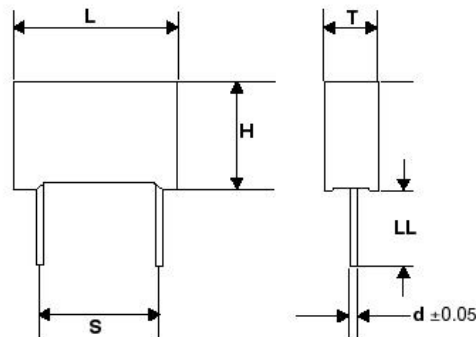
Load Life: 1000 hours at 125% of rated voltage
Max Capacitance Change: \leq 5% of initially measured value
Dissipation Factor Change: \leq 150% of maximum specified value
I.R. Change: $>$ 100% of minimum specified value

f

PHYSICAL DIMENSIONS

Length (D): 13 mm
Height (H): 9 mm, +/- 0.3 mm
Thickness (T): 4 mm, +/- 0.3 mm

Lead Spacing (S): 10 mm, +/- 0.5 mm
Lead Wire Diameter (d): 0.6 mm, +/- 0.05 mm
Lead Length (LL): 5 mm, +/- MIN mm
Lead Finish: Matte Tin



2400 East Devon Avenue Suite 292 Des Plaines, IL 60018 (847) 675-1760 FAX (847) 673-2850
Illinois Capacitor (HK) Ltd., Tel: 85227930931, Fax: 85227930731, www.illcap.com.hk
© Copyright 2020 Illinois Capacitor. An affiliate of Cornell Dubilier, All Rights Reserved