



**822MKP275KC**  
EMI/RFI SUPPRESSION  
Parts are RoHS compliant

## ELECTRICAL SPECIFICATIONS

Capacitance: 0.0082  $\mu$ F  
Tolerance: -10 %, +10 %  
DV/DT: 500 V/ $\mu$ S

Self inductance: 1nH/ mm pitch & lead length used

Terminal Temperature Range: -40°C to +110°C  
Terminal to Terminal Dielectric strength: 3.226 V times the rated AC voltage when applied between the terminals for 60 seconds

VAC: 310 Volts AC, 50/60 Hz  
Dissipation Factor: 0.001 Max at 1000 Hz and 20°C

Temperature Coefficient: -200 PPM/°C : -100 PPM/°C , 100 PPM/°C  
Insulation Resistance (T-T): 15000 megohm $\times$ microfarads MINIMUM after 100 Volts DC is applied for 60 seconds at 20°C  
Insulation resistance (Terminal to Case): 30000 Megohms MINIMUM after 100 Volts DC is applied for 60 seconds at 20°C

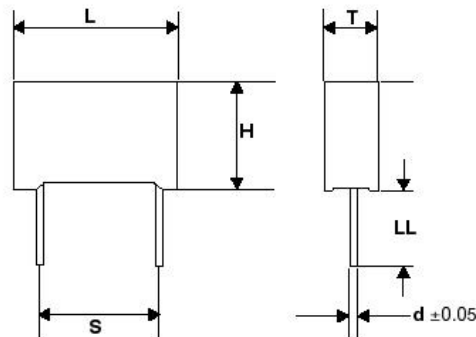
Load Life: 1000 hours at 125% of rated voltage  
Max Capacitance Change:  $\leq$ 5% of initially measured value  
Dissipation Factor Change:  $\leq$ 150% of maximum specified value  
I.R. Change:  $>$ 100% of minimum specified value

f

## PHYSICAL DIMENSIONS

Length (D): 10 mm  
Height (H): 8 mm, +/- 0.3 mm  
Thickness (T): 4 mm, +/- 0.3 mm

Lead Spacing (S): 7.5 mm, +/- 0.5 mm  
Lead Wire Diameter (d): 0.6 mm, +/- 0.05 mm  
Lead Length (LL): 5 mm, +/- MIN mm  
Lead Finish: Matte Tin



2400 East Devon Avenue Suite 292 Des Plaines, IL 60018 (847) 675-1760 FAX (847) 673-2850  
Illinois Capacitor (HK) Ltd., Tel: 85227930931, Fax: 85227930731, [www.illcap.com.hk](http://www.illcap.com.hk)  
© Copyright 2019 Illinois Capacitor. An affiliate of Cornell Dubilier, All Rights Reserved