



## 103MKP275KE

EMI/RFI SUPPRESSION

Parts are RoHS compliant

### ELECTRICAL SPECIFICATIONS

Capacitance: 0.01  $\mu$ F

Dissipation Factor: 0.001 Max at 1000 Hz and 25°C

Temperature Coefficient: -200 PPM/°C: -100 PPM/°C, 100 PPM/°C

Ripple Current: at and

ESR: - at - and -

Self Inductance: 1 Nanohenries maximum per mm of pitch

dvdt: 400 V/ $\mu$ s

Tolerance: -10 % , +10 %

Temperature Range: -40°C to +110°C

Above 110°C the rated (DC/AC) voltage must be derated at per N/A°C

WVDC: 0 Volts DC

SVDC: N/A Volts DC

VAC: 310 Volts AC

Terminal to Terminal Dielectric strength: 3.226 V times the rated AC voltage when applied between the terminals for 60 seconds

Terminal to case Dielectric strength: 6.613 VAC when applied between the terminals and case for 60 seconds

Insulation Resistance (Terminal to Terminal): 15000 MINIMUM after 100 Volts DC is applied for 60 seconds at 20°C

Insulation resistance (Terminal to Case): 30000 Megohms MINIMUM after 100 Volts DC is applied for 60 seconds at 20°C

Reliability: Load Life: 1000 hours at 110°C with 125% of rated voltage

Capacitance Change:  $\leq$ 5% of initially measured value

D.F. Change:  $\leq$ 150% of maximum specified value

I.R. Change:  $>$ 100% of minimum specified value

### PHYSICAL DIMENSIONS

Length (L): 18 mm, 0.3 mm

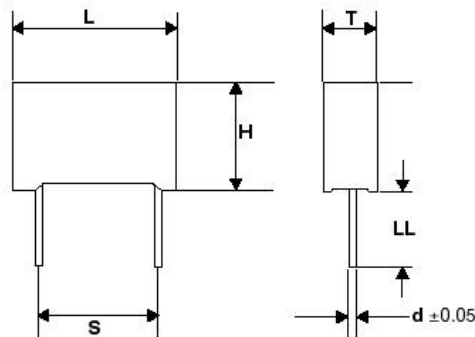
Height (H): 8 mm, +/-0.3 mm

Thickness (T): 4 mm, +/-0.3 mm

Lead Spacing (S): 15 mm, +/-0.5 mm

Lead Diameter (d): 0.6 mm, +/-0.05 mm

Lead Length (LL): 5mm, +/- MIN mm



2400 East Devon Avenue Suite 292 Des Plaines, IL 60018 (847) 675-1760 FAX (847) 673-2850

Illinois Capacitor (HK) Ltd., Tel: 85227930931, Fax: 85227930731, [www.ilcap.com.hk](http://www.ilcap.com.hk)

© Copyright 2019 Illinois Capacitor. An affiliate of Cornell Dubilier, All Rights Reserved