



472MKP275KC
EMI/RFI SUPPRESSION
Parts are RoHS compliant

ELECTRICAL SPECIFICATIONS

Capacitance: 0.0047 uF
 Dissipation Factor: 0.001 Max at 1000 Hz and 25°C
 Temperature Coefficient: -200 PPM/°C: -100 PPM/°C, 100 PPM/°C
 Ripple Current: at and
 ESR: - at - and -
 Self Inductance: 1 Nanohenries maximum per mm of pitch
 dvdt: 500 V/μs

Tolerance: -10 % , +10 %
 Temperature Range: -40°C to +110°C
 Above 110°C the rated (DC/AC) voltage must be derated at per N/A°C
 WVDC: 0 Volts DC
 SVDC: N/A Volts DC
 VAC: 310 Volts AC

Terminal to Terminal Dielectric strength: 3.226 V times the rated AC voltage when applied between the terminals for 60 seconds

Terminal to case Dielectric strength: 6.613 VAC when applied between the terminals and case for 60 seconds

Insulation Resistance (Terminal to Terminal): 15000 MINIMUM after 100 Volts DC is applied for 60 seconds at 20°C

Insulation resistance (Terminal to Case): 30000 Megohms MINIMUM after 100 Volts DC is applied for 60 seconds at 20°C

Reliability: Load Life: 1000 hours at 110°C with 125% of rated voltage

Capacitance Change: ≤5% of initially measured value

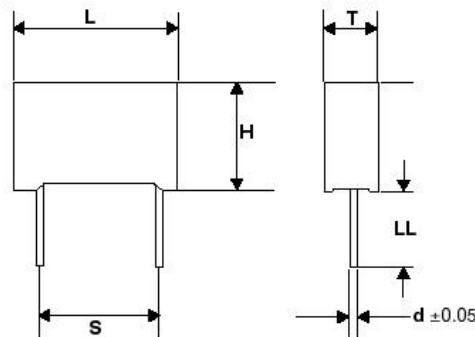
D.F. Change: ≤150% of maximum specified value

I.R. Change: >100% of minimum specified value

PHYSICAL DIMENSIONS

Length (L): 10 mm, 0.3 mm
 Height (H): 8 mm, +/-0.3 mm
 Thickness (T): 4 mm, +/-0.3 mm

Lead Spacing (S): 7.5 mm, +/-0.5 mm
 Lead Diameter (d): 0.6 mm, +/-0.05 mm
 Lead Length (LL): 5mm, +/- MIN mm



2400 East Devon Avenue Suite 292 Des Plaines, IL 60018 (847) 675-1760 FAX (847) 673-2850
 Illinois Capacitor (HK) Ltd., Tel: 85227930931, Fax: 85227930731, www.ilcap.com.hk
 © Copyright 2019 Illinois Capacitor. An affiliate of Cornell Dubilier, All Rights Reserved