



AXIAL LEAD TAPING SPECIFICATIONS

GENERAL SPECIFICATIONS

BODY SIZE: Maximum Diameter: (13mm)

PITCH: Standard: (5.0mm)
(10.2mm)
(15.2mm)*

TAPE LEADER: A (300mm) minimum length leader is provided before the first capacitor and after the last capacitor.

INTERRUPTION OF SEQUENCE: No consecutive capacitors may be absent. Total empty spaces <0.1% of reel.

SPLICES: Spliced tape strength is equal to non-spliced tape.
Staples will not be used for splicing.
Splice offset <(0.80mm)
Splice overlap >(50.8mm)

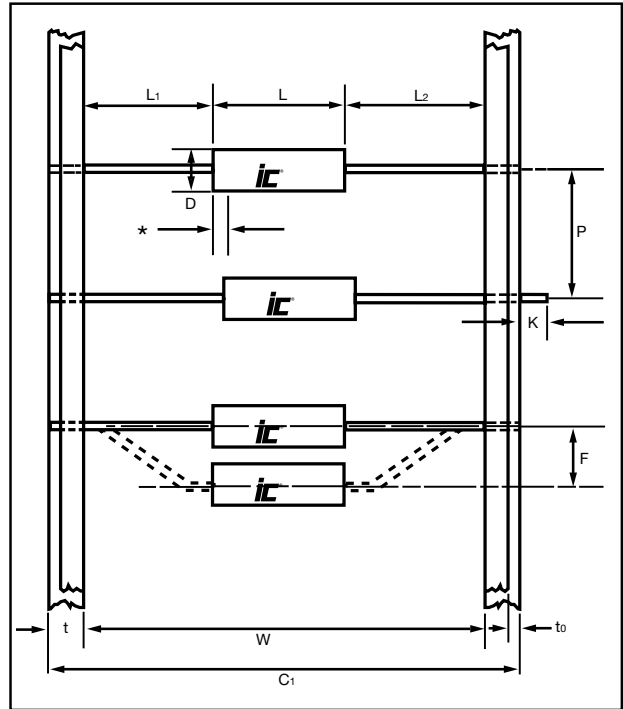
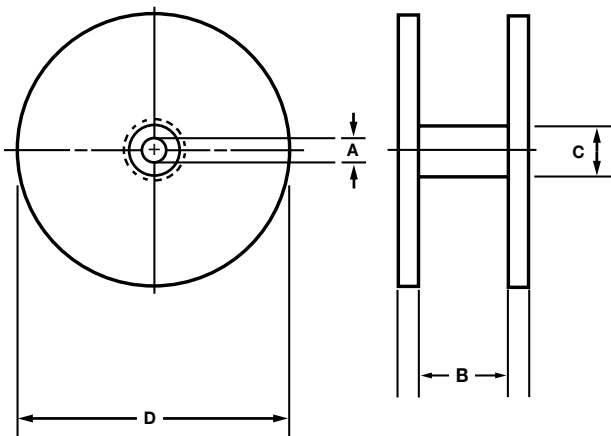
REFERENCE STANDARDS: EIA RS296E

BODY SIZE vs. PITCH		mm	
Body Diameter (D)	≤5.0	≤10.0	>10.0
Pitch* (P)	5.0	10.0	15.0
Pitch Tolerance	±0.5	±0.5	±0.5

*NOTES:
Maximum body diameter must be less than nominal component pitch
Please contact IC directly for all special requirements

TYPICAL PACKAGING QUANTITIES	
Diameter (Max.)	Reel Quantity
<5.0	2,000
<7.0	1,500
<10.0	1,000
<13.0	400

REEL PACKAGING



LEAD TAPING SPECIFICATIONS		mm	
Body Length	≤16.5	≤28.45	>28.45
Inside Tape (W)	52.4	63.5	73.0
Tolerance Inside (W)	±1.5		
Lead Extension (K)	0.80 Max.		
Centering Tolerance	±1.40		
Lead into Tape	1/2 t Min.		
Tape Width (t)	5.0 to 6.35		
Exposed Adhesive (to)	.80 Max.		
Lead Bend Alignment (F)	1.2 Max.		
Overall Width (C1)	123.5 Max		

REEL DIMENSIONS (mm)	MIN.	MAX.
Outside Diameter (D)	76.2	355.6
Core Diameter (C)	34.9	92.1
Arbor Hole Diameter (A)	13.9	38.1
Inside Flange (B)	1.5 to 8.0 over C1 Dim.	

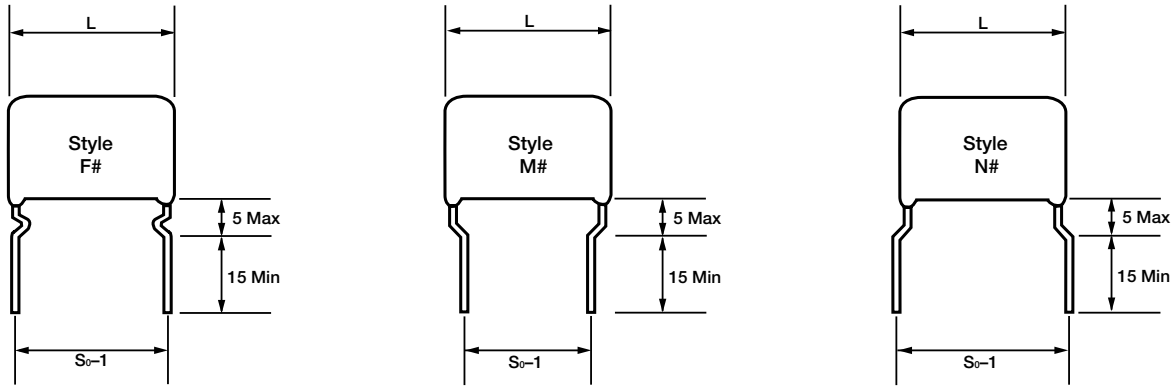
NOTE: Dimensions will vary according to specific capacitor styles, quantities and customer specifications. IC will furnish specific details upon request.



RADIAL LEAD CUT & FORM SPECIFICATION

Special Order Options

Formed Leads Not Cut



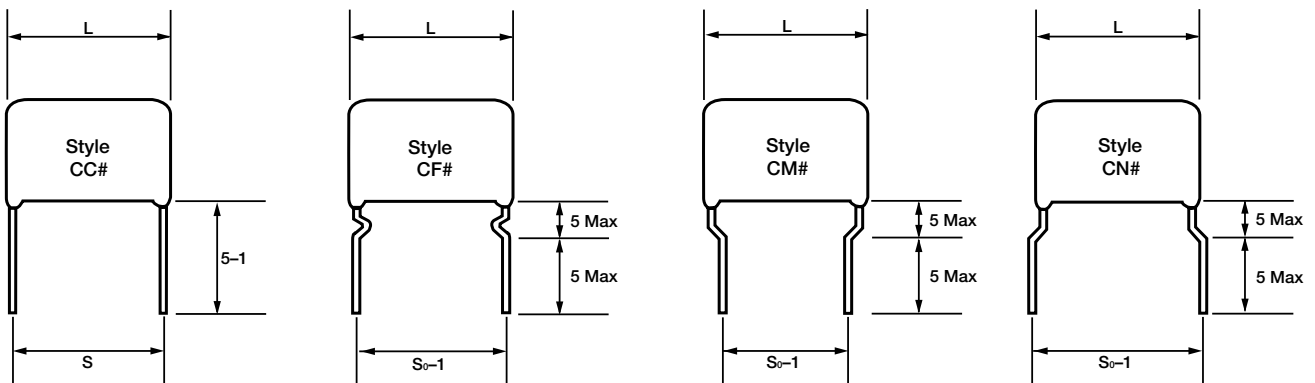
CODES FOR FORMED LEAD SPACING (S₀)

Initial Lead Spacing (S)	Formed lead spacing (S ₀) available	Initial Lead Spacing (S)	Formed lead spacing (S ₀) available
7.5	4, 5, 6, 7.5, 10, 12.5	27.5	17.5, 20, 22.5, 25, 27.5, 30, 32.5
10	4, 5, 6, 7, 7.5, 10, 12.5, 15	32.5	22.5, 25, 27.5, 30, 32.5, 37.5
15	5, 6, 7, 7.5, 10, 12.5, 15, 17.5, 20	37.5	27.5, 30, 32.5, 37.5, 42.5
20	10, 12.5, 15, 17.5, 20, 22.5, 25	42.5	32.5, 37.5, 42.5
22.5	12.5, 15, 17.5, 20, 22.5, 25, 27		

Formed lead spacing (S ₀)	Lead Forming Code	Formed lead spacing (S ₀)	Lead Forming Code	Formed lead spacing (S ₀)	Lead Forming Code
4.0	29	12.5	04	27.5	11
5.0	01	15.0	05	30.0	12
6.0	26	17.5	06	32.5	13
7.0	27	20.0	07	37.5	15
7.5	02	22.5	08	42.5	21
10.0	03	25.0	09		

Unit: mm

Cut & Formed Leads



Example 104MSR400K with cut leads and lead spacing (S₀) to 10 mm
Part number would be 104MSR400KCM03

