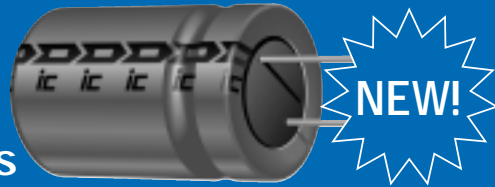


JWL

+105°C High Frequency Radial Lead Aluminum Electrolytic Capacitors



For All Applications Including Switching Power Supplies

FEATURES

- Low Impedance
- Low ESR
- Capacitance Range: .47 μ F to 27,000 μ F
- Voltage Range: 6.3 WVDC to 50 WVDC
- 100 kHz Operating Frequency Range
- Solvent Tolerant End Seals Standard

SPECIFICATIONS

Capacitance Tolerance		$\pm 20\%$ at 120Hz, 25°C					
Operating Temperature Range		-55°C to +105°C					
Dissipation Factor 120Hz, 25°C	WVDC	6.3	10	16	25	35	50
	tan δ	.22	.19	.16	.14	.12	.10
Note: For above D.F. specifications, add .02 for every 1,000 μ F above 1,000 μ F							
Impedance Ratio (Max.) @120Hz	WVDC	6.3	10	16	25	35	50
	-25°C/25°C	3	3	3	2	2	2
	-55°C/25°C	6	6	6	4	4	4
Leakage Current	WVDC	≤ 50 WVDC					
	Time	1 minute					
		.01 CV or 3 μ A whichever is greater					
Load Life	1,000 hours at +105°C with rated voltage, Case dia.(5.0, 6.3, 8.0) 2,000 hours at +105°C with rated voltage, Case dia.(10.0 and larger)						
	Capacitance change Dissipation factor Leakage current	$\leq 20\%$ of initial measured value $\leq 200\%$ of initial specified value \leq initial specified value					
Shelf Life	500 hours at +105°C with no voltage applied. Units will meet load life specifications						

Aluminum Electrolytic

SPECIAL ORDER OPTIONS

(See pages 37 thru 41)

- Special tolerances: $\pm 10\%$ (K), -10% + 30% (Q)
- Tape and Reel/Ammo Pack
- Cut, Formed, Cut & Formed Leads and Snap In Leads
- Epoxy end seal
- Polyester Sleeve

PHYSICAL DIMENSIONS

WVDC (μF) (SV)	6.3 (8)	10 (13)	16 (20)	25 (32)	35 (44)	50 (63)
0.47						5x11
1.0						5x11
2.2						5x11
3.3						5x11
4.7						5x11
6.8						5x11
10						5x11
15						5x11
18						5x11
22						5x11
27						5x11
33						5x11
39					5x11	5x15, 6.3x11
47					5x11	5x15, 6.3x11
56				5x11		5x15, 6.3x11
68				5x11	5x15, 6.3x11	6.3x15, 8x11
82			5x11		5x15, 6.3x11	6.3x15, 8x11
100			5x11	5x15, 6.3x11	6.3x15, 8x11	8x14, 10x13
120		5x11		5x15, 6.3x11	6.3x15, 8x11	8x16, 10x13
150		5x11	5x15, 6.3x11		6.3x15, 8x11	8x20, 10x16
180	5x11		5x15, 6.3x11	6.3x15, 8x11	8x14, 10x13	8x20, 10x16
220	5x11		5x15, 6.3x11	6.3x15, 8x11	8x16, 10x13	8x20, 10x16
270		5x15, 6.3x11	6.3x15, 8x11	8x14, 10x13	8x20, 10x16	10x21, 13x16
330	5x15, 6.3x11		6.3x15, 8x11	8x16, 10x13	8x20, 10x16	10x24, 13x18
390		6.3x15, 8x11	8x14, 10x13	8x20, 10x16	10x21, 13x16	10x26, 13x18
470		6.3x15, 8x11	8x16, 10x13	8x20, 10x16	10x21, 13x16	13x21, 16x16
560		6.3x15, 8x11		8x20, 10x16	10x24, 13x18	13x26, 18x16
680	6.3x15, 8x11	8x14, 10x13	8x20, 10x16	10x21, 13x16	10x28, 16x16	13x31, 16x21
820	8x14	8x16, 10x13	8x20, 10x16	10x24, 13x18	10x30, 16x16	13x36, 16x25
1,000	8x14, 10x13	8x20, 10x16	10x21, 13x16	10x28, 16x16	13x26, 18x16	13x41, 18x21
1,200	8x20, 10x16	10x21, 13x16	10x24, 13x18	13x21, 16x16	13x31, 16x21	16x32, 18x25
1,500	10x21, 13x16	10x24, 13x18	10x28, 16x16	13x26, 18x16	13x36, 16x25	16x35, 18x32
1,800	10x21, 13x16	10x26, 13x18	13x21, 16x16	13x31, 16x21	13x41, 18x21	16x40, 18x35
2,200	10x24, 13x18	10x28, 16x16	13x26, 18x16	13x36, 16x25	16x32, 18x25	16x40, 18x35
2,700	10x28, 16x16	13x21, 16x16	13x21, 16x21	13x41, 18x21	16x35, 18x32	16x48, 18x40
3,300	13x21, 16x16	13x26, 18x16	13x36, 16x25	16x32, 18x25	16x40, 18x35	18x48
3,900	13x26, 18x16	13x31, 16x21	13x41, 18x21	16x35, 18x32	16x48, 18x40	18x50
4,700	13x31, 16x21	13x36, 16x25	16x32, 18x25	16x40, 18x35	18x42	
5,600	13x36, 16x25	13x41, 18x21	16x35, 18x32	16x48, 18x40	18x50	
6,800	13x41, 18x21	16x32, 18x25	16x40, 18x35	18x42		
8,200	16x32, 18x25	16x35, 18x32	16x40, 18x35	18x48		
10,000	16x35, 18x32	16x40, 18x35	16x48, 18x40			
12,000	16x40, 18x35	16x48, 18x40	18x42			
15,000	16x48, 18x35	18x42	18x50			
18,000	16x50, 18x40	18x48				
22,000	18x48	18x50				
27,000	18x50					

Convert to inches, divide by 25.4

DxL(mm)



STANDARD PART LISTING

Capacitance (µF)	WVDC	IC [®] PART NUMBER	Maximum ESR Ω 120Hz, +25°C	Impedance Ω 100kHz 25°C	Maximum RMS Ripple Current (mA) +105°C 100kHz	Dimensions D x L (mm)
0.47	50	474JWL050M	352.737	2.122	22	5x11
1	50	105JWL050M	165.786	1.994	31	5x11
2.2	50	225JWL050M	75.358	1.813	47	5x11
3.3	50	335JWL050M	50.238	1.511	55	5x11
4.7	50	475JWL050M	35.274	1.273	70	5x11
6.8	50	685JWL050M	24.38	1.1	80	5x11
10	50	106JWL050M	16.579	.997	100	5x11
15	50	156JWL050M	11.052	.731	120	5x11
18	50	186JWL050M	9.21	.637	130	5x11
22	50	226JWL050M	7.536	.544	150	5x11
27	50	276JWL050M	6.14	.48	160	5x11
33	50	336JWL050M	5.024	.423	180	5x11
39	35	396JWL035M	5.101	.416	170	5x11
39	50	396JWL050M515	4.251	.384	230	5x15
39	50	396JWL050M	4.251	.384	220	6.3x11
47	35	476JWL035M	4.233	.388	190	5x11
47	50	476JWL050M515	3.527	.339	250	5x15
47	50	476JWL050M	3.527	.339	250	6.3x11
56	25	566JWL025	4.145	.354	190	5x11
56	50	566JWL050M515	2.96	.303	270	5x15
56	50	566JWL050M	2.96	.303	270	6.3x11
68	25	686JWL025M	3.413	.308	210	5x11
68	35	686JWL035M515	2.926	.286	260	5x15
68	35	686JWL035M	2.926	.286	250	6.3x11
68	50	686JWL050M	2.438	.264	340	6.3x15
68	50	686JWL050M811	2.438	.264	340	8x11
82	16	826JWL016M	3.235	.325	180	5x11
82	35	826JWL035M515	2.426	.264	280	5x15
82	35	826JWL035M	2.426	.264	280	6.3x11
82	50	826JWL050M	2.0218	.243	370	6.3x15
82	50	826JWL050M811	2.0218	.243	370	8x11
100	16	107JWL016M	2.6526	.293	200	5x11
100	25	107JWL025M515	2.321	.256	290	5x15
100	25	107JWL025M	2.321	.256	290	6.3x11
100	35	107JWL035M	1.989	.238	350	6.3x15
100	35	107JWL035M811	1.989	.238	350	8x11
100	50	107JWL050M	1.658	.219	450	8x14
100	50	107JWL050M1013	1.658	.219	450	10x13
120	10	127JWL010M	2.625	.266	200	5x11
120	25	127JWL025M515	1.934	.218	320	5x15
120	25	127JWL025M	1.934	.218	320	6.3x11
120	35	127JWL035M	1.6579	.203	390	6.3x15

Capacitance (µF)	WVDC	IC [®] PART NUMBER	Maximum ESR Ω 120Hz, +25°C	Impedance Ω 100kHz 25°C	Maximum RMS Ripple Current (mA) +105°C 100kHz	Dimensions D x L (mm)
120	35	127JWL035M811	1.6579	.203	390	8x11
120	50	127JWL050M	1.3816	.187	530	8x16
120	50	127JWL050M1013	1.3816	.187	490	10x13
150	10	157JWL010M	2.1	.218	230	5x11
150	16	157JWL016M515	1.7684	.204	280	5x15
150	16	157JWL016M	1.7684	.204	280	6.3x11
150	35	157JWL035M	1.3263	.166	430	6.3x15
150	35	157JWL035M811	1.3263	.166	430	8x11
150	50	157JWL050M	1.105	.153	650	8x20
150	50	157JWL050M1016	1.105	.153	600	10x16
180	6.3	187JWL6R3M	2.026	.201	210	5x11
180	16	187JWL016M515	1.4737	.178	310	5x15
180	16	187JWL016M	1.473	.178	310	6.3x11
180	25	187JWL025M	1.29	.155	450	6.3x15
180	25	187JWL025M811	1.29	.155	450	8x11
180	35	187JWL035M	1.105	.144	520	8x14
180	35	187JWL035M1013	1.105	.144	520	10x13
180	50	187JWL050M	0.921	.133	710	8x20
180	50	187JWL050M1016	0.921	.133	660	10x16
220	6.3	227JWL6R3M	1.658	.172	240	5x11
220	16	227JWL016M515	1.2057	.151	340	5x15
220	16	227JWL016M	1.2057	.151	340	6.3x11
220	25	227JWL025M	1.055	.132	490	6.3x15
220	25	227JWL025M811	1.055	.132	490	8x11
220	35	227JWL035M	0.9043	.123	610	8x16
220	35	227JWL035M1013	0.9043	.123	570	10x13
220	50	227JWL050M	0.7536	.113	790	8x20
220	50	227JWL050M1016	0.7536	.113	720	10x16
270	10	277JWL010M515	1.167	.147	350	5x15
270	10	277JWL010M	1.167	.147	340	6.3x11
270	16	277JWL016M	0.9824	.138	430	6.3x15
270	16	277JWL016M811	0.9824	.138	430	8x11
270	25	277JWL025M	0.86	.127	610	8x14
270	25	277JWL025M1013	0.86	.121	600	10x13
270	35	277JWL035M	0.7368	.112	750	8x20
270	35	277JWL035M1016	0.7368	.112	690	10x16
270	50	277JWL050M	0.614	.103	900	10x21
270	50	277JWL050M1316	0.614	.103	880	13x16
330	6.3	337JWL6R3M515	1.105	.137	330	5x15
330	6.3	337JWL6R3M	1.105	.137	330	6.3x11
330	16	337JWL016M	0.8038	.121	480	6.3x15
330	16	337JWL016M811	0.8038	.121	480	8x11

Aluminum Electrolytic



STANDARD PART LISTING

Capacitance (µF)	WVDC	IC [®] PART NUMBER	Maximum ESR Ω 120Hz, +25°C	Impedance Ω 100kHz 25°C	Maximum RMS Ripple Current (mA) +105°C 100kHz	Dimensions DxL (mm)
330	25	337JWL025M	0.703	.095	710	8x16
330	25	337JWL025M1013	0.703	.106	660	10x13
330	35	337JWL035M	0.6029	.098	830	8x20
330	35	337JWL035M1016	0.6029	.098	760	10x16
330	50	337JWL050M	0.5024	.091	1060	10x24
330	50	337JWL050M1318	0.5024	.091	1020	13x18
390	10	397JWL010M	0.808	.116	470	6.3x15
390	10	397JWL010M811	0.808	.116	470	8x11
390	16	397JWL016M	0.68	.109	570	8x14
390	16	397JWL016M1013	0.68	.109	570	10x13
390	25	397JWL025M	0.595	.096	850	8x20
390	25	397JWL025M1016	0.595	.096	780	10x16
390	35	397JWL035M	0.5101	.089	930	10x21
390	35	397JWL035M1316	0.5101	.089	910	13x16
390	50	397JWL050M	0.4251	.082	1200	10x26
390	50	397JWL050M1318	0.4251	.082	1110	13x18
470	10	477JWL010M	0.67	.106	520	6.3x15
470	10	477JWL010M811	0.67	.106	520	8x11
470	16	477JWL016M	0.5644	.099	670	8x16
470	16	477JWL016M1013	0.5644	.099	620	10x13
470	25	477JWL025M	0.4938	.087	940	8x20
470	25	477JWL025M1016	0.4938	.087	860	10x16
470	35	477JWL035M	0.4233	.081	1030	10x21
470	35	477JWL035M1316	0.4233	.081	1000	13x16
470	50	477JWL050M	0.3528	.074	1300	13x21
470	50	477JWL050M1616	0.3528	.074	1150	16x16
560	10	567JWL010M	0.563	.094	570	6.3x15
560	10	567JWL010M811	0.563	.094	570	8x11
560	25	567JWL025M	0.4145	.077	1020	8x20
560	25	567JWL025M1016	0.4145	.077	940	10x16
560	35	567JWL035M	0.3553	.071	1190	10x24
560	35	567JWL035M1318	0.3553	.071	1140	13x18
560	50	567JWL050M	0.296	.066	1560	13x26
560	50	567JWL050M1816	0.296	.066	1340	18x16
680	6.3	687JWL6R3M	0.5364	.089	540	6.3x15
680	6.3	687JWL6R3M811	0.5364	.089	540	8x11
680	10	687JWL010M	0.463	.083	690	8x14
680	10	687JWL010M1013	0.463	.083	680	10x13
680	16	687JWL016M	0.39	.078	890	8x20
680	16	687JWL016M1016	0.39	.078	820	10x16
680	25	687JWL025M	0.3413	.069	1160	10x21

Capacitance (µF)	WVDC	IC [®] PART NUMBER	Maximum ESR Ω 120Hz, +25°C	Impedance Ω 100kHz 25°C	Maximum RMS Ripple Current (mA) +105°C 100kHz	Dimensions DxL (mm)
680	25	687JWL025M1316	0.3413	.069	1130	13x16
680	35	687JWL035M	0.2926	.064	1410	10x28
680	35	687JWL035M1616	0.2926	.064	1190	16x16
680	50	687JWL050M	0.2438	.059	1860	13x31
680	50	687JWL050M1621	0.2438	.059	1540	16x21
820	6.3	827JWL6R3M	0.4448	.081	660	8x14
820	10	827JWL010M	0.384	.076	810	8x16
820	10	827JWL010M1013	0.384	.076	750	10x13
820	16	827JWL016M	0.3235	.072	980	8x20
820	16	827JWL016M1016	0.3235	.072	900	10x16
820	25	827JWL025M	0.2831	.063	1360	10x24
820	25	827JWL025M1318	0.2831	.063	1300	13x18
820	35	827JWL035M	0.2426	.058	1590	10x30
820	35	827JWL035M1616	0.2426	.058	1300	16x16
820	50	827JWL050M	0.2022	.054	2180	13x36
820	50	827JWL050M1625	0.2022	.054	1820	16x25
1000	6.3	108JWL6R3M	0.3647	.069	730	8x14
1000	6.3	108JWL6R3M1013	0.3647	.069	720	10x13
1000	10	108JWL010M	0.315	.068	990	8x20
1000	10	108JWL010M1016	0.315	.068	900	10x16
1000	16	108JWL016M	0.2653	.064	1120	10x21
1000	16	108JWL016M1316	0.2653	.064	1080	13x16
1000	25	108JWL025M	0.2321	.056	1610	10x28
1000	25	108JWL025M1616	0.2321	.056	1360	16x16
1000	35	108JWL035M	0.1989	.052	2070	13x26
1000	35	108JWL035M1816	0.1989	.052	1550	18x16
1000	50	108JWL050M	0.1658	.048	2560	13x41
1000	50	108JWL050M1821	0.1658	.048	2000	18x21
1200	6.3	128JWL6R3M	0.3316	.062	930	8x20
1200	6.3	128JWL6R3M1016	0.3316	.062	860	10x16
1200	10	128JWL010M	0.29	.059	1120	10x21
1200	10	128JWL010M1316	0.29	.059	1080	13x16
1200	16	128JWL016M	0.2487	.056	1300	10x24
1200	16	128JWL016M1318	0.2487	.056	1250	13x18
1200	25	128JWL025M	0.221	.049	1690	13x21
1200	25	128JWL025M1616	0.221	.049	1490	16x16
1200	35	128JWL035M	0.1934	.045	2450	13x31
1200	35	128JWL035M1621	0.1934	.045	1760	16x21
1200	50	128JWL050M	0.1658	.042	2460	16x32
1200	50	128JWL050M1825	0.1658	.042	2360	18x25
1500	6.3	158JWL6R3M	0.2653	.044	1050	10x21



STANDARD PART LISTING

Capacitance (µF)	WVDC	IC PART NUMBER	Maximum ESR Ω 120Hz, +25°C	Impedance Ω 100kHz 25°C	Maximum RMS Ripple Current (mA) +105°C 100kHz	Dimensions DxL (mm)
1500	6.3	158JWL6R3M1316	0.2653	.053	1020	13x16
1500	10	158JWL010M	0.232	.045	1270	10x24
1500	10	158JWL010M1318	0.232	.05	1220	13x18
1500	16	158JWL016M	0.1989	.047	1480	10x28
1500	16	158JWL016M1616	0.1989	.047	1250	16x16
1500	25	158JWL025M	0.1768	.041	1960	13x26
1500	25	158JWL025M1816	0.1768	.041	1690	18x16
1500	35	158JWL035M	0.1547	.038	2400	13x36
1500	35	158JWL035M1625	0.1547	.038	2000	16x25
1500	50	158JWL050M	0.1326	.035	2670	16x35
1500	50	158JWL050M1832	0.1326	.035	2740	18x32
1800	6.3	188JWL6R3M	0.221	.047	1250	10x21
1800	6.3	188JWL6R3M1316	0.221	.047	1120	13x16
1800	10	188JWL010M	0.1934	.044	1450	10x26
1800	10	188JWL010M1318	0.1934	.044	1340	13x18
1800	16	188JWL016M	0.1659	.042	1560	13x21
1800	16	188JWL016M1616	0.1659	.042	1370	16x16
1800	25	188JWL025M	0.1475	.036	2330	13x31
1800	25	188JWL025M1621	0.1475	.036	1930	16x21
1800	35	188JWL035M	0.129	.034	2790	13x41
1800	35	188JWL035M1821	0.129	.034	2180	18x21
1800	50	188JWL050M	0.1105	.031	3110	16x40
1800	50	188JWL050M1835	0.1105	.031	3130	18x35
2200	6.3	228JWL6R3M	0.196	.041	1310	10x24
2200	6.3	228JWL6R3M1318	0.196	.041	1260	13x18
2200	10	228JWL010M	0.173	.039	1590	10x28
2200	10	228JWL010M1616	0.173	.039	1340	16x16
2200	16	228JWL016M	0.1507	.036	1810	13x26
2200	16	228JWL016M1816	0.1507	.036	1560	18x16
2200	25	228JWL025M	0.1356	.032	2630	13x36
2200	25	228JWL025M1625	0.1356	.032	2190	16x25
2200	35	228JWL035M	0.1206	.03	2560	16x32
2200	35	228JWL035M1825	0.1206	.03	2460	18x25
2200	50	228JWL050M	0.1055	.027	3240	16x40
2200	50	228JWL050M1835	0.1055	.027	3260	18x35
2700	6.3	278JWL6R3M	0.16	.038	1520	10x28
2700	6.3	278JWL6R3M1616	0.16	.038	1280	16x16
2700	10	278JWL010M	0.141	.035	1630	13x21
2700	10	278JWL010M1616	0.141	.035	1440	16x16
2700	16	278JWL016M	0.1228	.033	2080	13x31
2700	16	278JWL016M1621	0.1228	.033	1730	16x21

Capacitance (µF)	WVDC	IC PART NUMBER	Maximum ESR Ω 120Hz, +25°C	Impedance Ω 100kHz 25°C	Maximum RMS Ripple Current (mA) +105°C 100kHz	Dimensions DxL (mm)
2700	25	278JWL025M	0.1105	.029	2960	13x41
2700	25	278JWL025M1821	0.1105	.029	2310	18x21
2700	35	278JWL035M	0.0982	.027	2810	16x35
2700	35	278JWL035M1832	0.0982	.027	2890	18x32
2700	50	278JWL050M	0.086	.025	3700	16x48
2700	50	278JWL050M1840	0.086	.025	3640	18x40
3300	6.3	338JWL6R3M	0.1407	.035	1560	13x21
3300	6.3	338JWL6R3M1616	0.1407	.035	1380	16x16
3300	10	338JWL010M	0.126	.032	1920	13x26
3300	10	338JWL010M1816	0.126	.032	1650	18x16
3300	16	338JWL016M	0.1105	.03	2380	13x36
3300	16	338JWL016M1625	0.1105	.03	1980	16x25
3300	25	338JWL025M	0.1005	.029	2750	16x32
3300	25	338JWL025M1825	0.1005	.029	2640	18x25
3300	35	338JWL035M	0.0904	.025	3160	16x40
3300	35	338JWL035M1835	0.0904	.025	3180	18x35
3300	50	338JWL050M	0.0804	.023	4160	18x48
3900	6.3	398JWL6R3M	0.119	.033	1820	13x26
3900	6.3	398JWL6R3M1816	0.119	.033	1570	18x16
3900	10	398JWL010M	0.106	.031	2190	13x31
3900	10	398JWL010M1621	0.106	.031	1820	16x21
3900	16	398JWL016M	0.0935	.029	2650	13x41
3900	16	398JWL016M1821	0.0935	.029	2070	18x21
3900	25	398JWL025M	0.085	.026	3000	16x35
3900	25	398JWL025M1832	0.085	.026	3080	18x32
3900	35	398JWL035M	0.0765	.024	3590	16x48
3900	35	398JWL035M1840	0.0765	.024	3530	18x40
3900	50	398JWL050M	0.068	.022	4410	18x50
4700	6.3	478JWL6R3M	0.1058	.029	2070	13x31
4700	6.3	478JWL6R3M1621	0.1058	.029	1710	16x21
4700	10	478JWL010M	0.0952	.027	2430	13x36
4700	10	478JWL010M1625	0.0952	.027	2030	16x25
4700	16	478JWL016M	0.08466	.026	2390	16x32
4700	16	478JWL016M1825	0.08466	.026	2300	18x25
4700	25	478JWL025M	0.0776	.023	3270	16x40
4700	25	478JWL025M1835	0.0776	.023	3290	18x35
4700	35	478JWL035M	0.0706	.021	3960	18x42
5600	6.3	568JWL6R3M	0.0947	.027	2320	13x36
5600	6.3	568JWL6R3M1625	0.0947	.027	1930	16x25
5600	10	568JWL010M	0.0859	.026	2680	13x41
5600	10	568JWL010M1821	0.0859	.026	2100	18x21

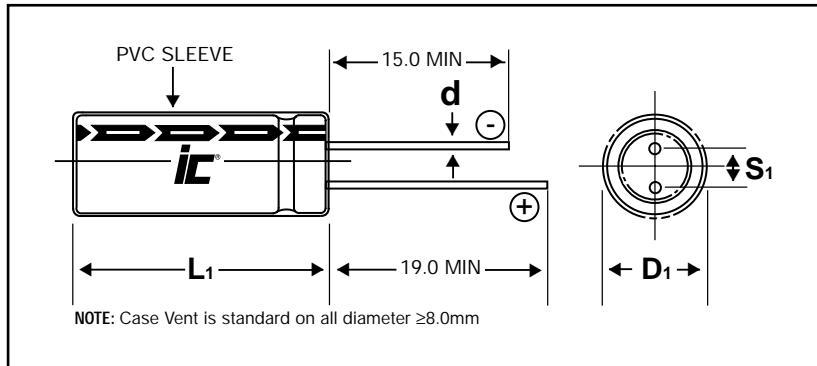
Aluminum Electrolytic



STANDARD PART LISTING

Capacitance (µF)	WVDC	IC PART NUMBER	Maximum ESR Ω 120Hz, +25°C	Impedance Ω 100kHz 25°C	Maximum RMS Ripple Current (mA) +105°C 100kHz	Dimensions DxL (mm)
5600	16	568JWL016M	0.077	.027	2570	16x35
5600	16	568JW2016M1832	0.077	.024	2640	18x32
5600	25	568JWL025M	0.0711	.021	3660	16x48
5600	25	568JWL025M1840	0.0711	.021	3590	18x40
5600	35	568JWL035M	0.0651	.019	4680	18x50
6800	6.3	688JWL6R3M	0.0829	.026	2610	13x41
6800	6.3	688JWL6R3M1821	0.0829	.026	2040	18x21
6800	10	688JWL010M	0.0756	.024	2470	16x32
6800	10	688JWL010M1825	0.0756	.024	2380	18x25
6800	16	688JWL016M	0.0683	.023	2860	16x40
6800	16	688JWL016M1835	0.0683	.023	2880	18x35
6800	25	688JWL025M	0.0634	.02	3840	18x42
8200	6.3	828JWL6R3M	0.0768	.025	2380	16x32
8200	6.3	828JWL6R3M1825	0.0768	.025	2280	18x25
8200	10	828JWL010M	0.0708	.023	2660	16x35
8200	10	828JWL010M1832	0.0708	.023	2730	18x32
8200	16	828JWL016M	0.0647	.022	2940	16x40
8200	16	828JWL016M1835	0.0647	.022	2950	18x35
8200	25	828JWL025M	0.0607	.019	4090	18x48
10000	6.3	109JWL6R3M	0.0696	.024	2570	16x35

Capacitance (µF)	WVDC	IC PART NUMBER	Maximum ESR Ω 120Hz, +25°C	Impedance Ω 100kHz 25°C	Maximum RMS Ripple Current (mA) +105°C 100kHz	Dimensions DxL (mm)
10000	6.3	109JWL6R3M1832	0.0696	.024	2630	18x32
10000	10	109JWL010M	0.0647	.022	2900	16x40
10000	10	109JWL010M1835	0.0647	.022	2920	18x35
10000	16	109JWL016M	0.0597	.021	3270	16x48
10000	16	109JWL016M1840	0.0597	.021	3000	18x40
12000	6.3	129JWL6R3M	0.0636	.023	2830	16x40
12000	6.3	129JWL6R3M1835	0.0636	.023	2840	18x35
12000	10	129JWL010M	0.0594	.022	3250	16x48
12000	10	129JWL010M1840	0.0594	.022	3190	18x40
12000	16	129JWL016M	0.0553	.020	3360	18x42
15000	6.3	159JWL6R3M	0.0575	.022	3190	16x48
15000	6.3	159JWL6R3M1835	0.0575	.022	2950	18x35
15000	10	159JWL010M	0.0542	.021	3360	18x42
15000	16	159JWL016M	0.0486	.019	3730	18x50
18000	6.3	189JWL6R3M	0.0534	.022	3340	16x50
18000	6.3	189JWL6R3M1840	0.0534	.022	3220	18x40
18000	10	189JWL010M	0.0507	.021	3640	18x48
22000	6.3	229JWL6R3M	0.0467	.022	3590	18x48
22000	10	229JWL010M	0.0475	.023	3940	18x50
27000	6.3	279JWL6R3M	0.0442	.020	3740	18x50



D	5.0	6.3	8.0	10	12.5	16	18
S	2.0	2.5	3.5	5.0	5.0	7.5	7.5
d	0.5	0.5	0.6	0.6	0.6	0.8	0.8

$$L_1 = L + 2\text{mm Max}$$

$$D_1 = D + 0.5\text{mm Max}$$

$$S_1 = S \pm 0.5\text{mm}$$